

Introduction

These instructions describe how to install the Matrix-UPS Rack Shelf kit into a standard 19 inch (46.5 cm) rack. The steps below consist of installing the Matrix-UPS rack shelf kits into the rack and installing the Matrix-UPS on the shelves. Read these instructions in their entirety before continuing.

Parts List

<i>Part Number</i>	<i>Description</i>	<i>Quantity</i>
810-0002	<i>screw, 10-32 x 0.50" long</i>	8
812-0006	<i>screw, 1/4-20 x 0.50" long</i>	2
870-6123	<i>shelf rack mount - Matrix</i>	1
870-6124	<i>bracket support - right</i>	1
870-6125	<i>bracket support - left</i>	1
MXA008	<i>battery cable extender kit</i>	1



CAUTION!

Two people are required to perform the following procedure.

Installation

- 1. Unpack and inspect the Matrix-UPS rack shelf, brackets, and cables. Notify the carrier and dealer immediately if there is damage. If parts are missing, call the appropriate Customer Service telephone number located on the last page of this instruction sheet. Recycle the packaging or dispose of it properly.*
- 2. Make sure adequate rack space is available. The Matrix-UPS rack shelf kit is ten RU (rack units) high. Ten RUs are 17.5 inches (44.45 cm).*
- 3. Test the 10-32 screws that are included in the kit to see if they fit the thread holes in the rack. If the rack screw threads are not 10-32, use appropriate screws for the rack.*

- Determine the placement of the Matrix-UPS rack shelf in the rack by deciding whether the shelf should be mounted to align on the RU boundaries (on top of any equipment mounted below), or whether it should be offset mounted by 1/2 RU to allow breathing space between the rack and other equipment for cables and wiring.

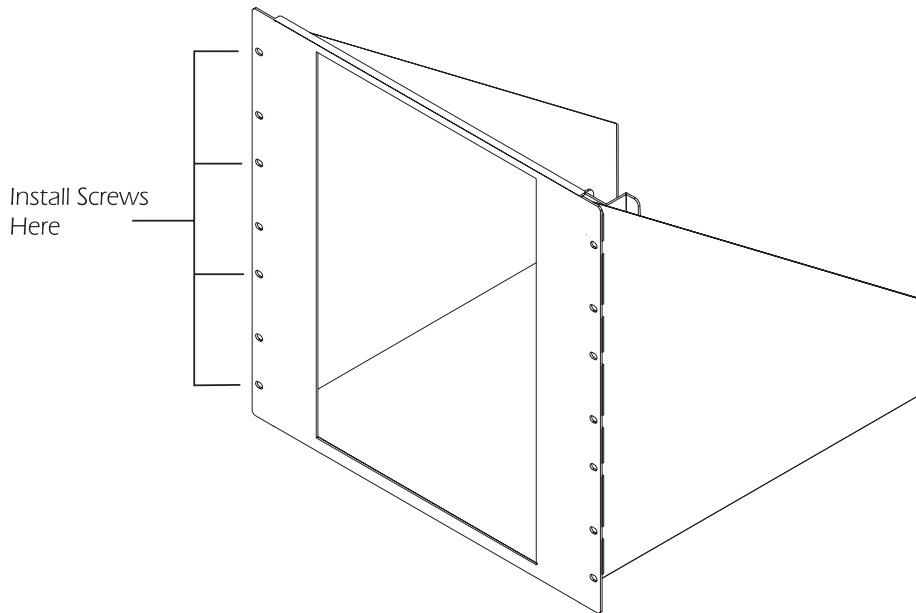


Figure 1. Rack Shelf - Front View

- Using **two people**, install the shelf in the rack by aligning the holes in the matrix shelf to the holes in the rack. Secure the shelf in place using a No. 2 Philips head screwdriver and eight screws (four screws on each side). Refer to figure 1 for mounting holes. **Note:** Be sure to install one screw into the bottom most hole of the shelf to support the weight of the matrix.
- Install either the Matrix-UPS (see *User's Manual*), one Smart Cell XR, or up to four Smart Cells onto the Matrix-UPS rack shelf.
- To prevent the UPS components from moving, install the two **support brackets** included in the rack shelf kit. Using the two screws (1/4-20), install the left and right **support brackets** to the outer most holes at the bottom rear of the Matrix-UPS rack shelf so that the large **tab** is in back of the UPS component. Refer to figure 2.

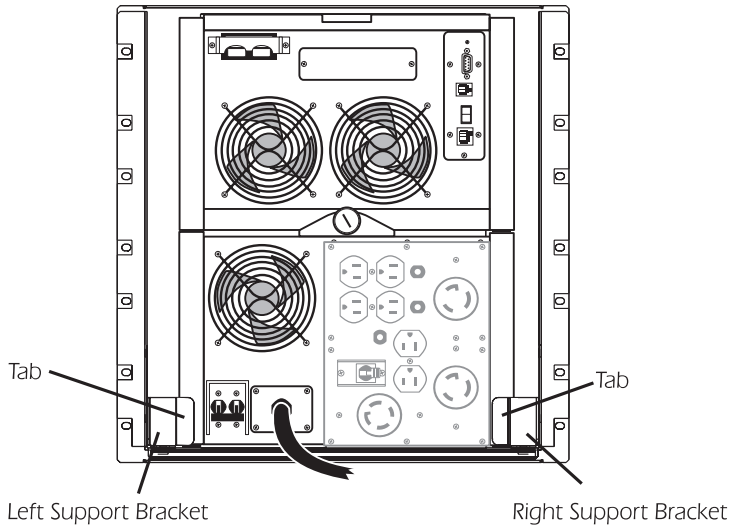


Figure 2. Rack Shelf - Rear View

8. *Install the battery extender cable as instructed on the instruction sheet included in the battery extender cable kit.*
9. *Using the new 72 inch (182.9 cm) battery communication cable provided in the battery extender cable kit, replace the standard battery communication cable and install as instructed in the Matrix-UPS User's Manual.*
10. *Using the two cable ties included in the battery extender cable kit, dress excess communication cable with the two cable ties.*

Toll free technical support:

United States and Canada 1-800-800-4272

Ireland 1-800-702000

U. K. 0800-132990

In areas without toll free numbers, call:

+1 401 789 5735 (USA) or

+353 91 702020 (Ireland)

Return shipment addresses:

American Power Conversion Corporation

132 Fairgrounds Road

P. O. Box 278

West Kingston, Rhode Island 02892

USA

American Power Conversion Corporation

(A. P. C.) b. v.

Ballybritt Business Park

Galway

Ireland